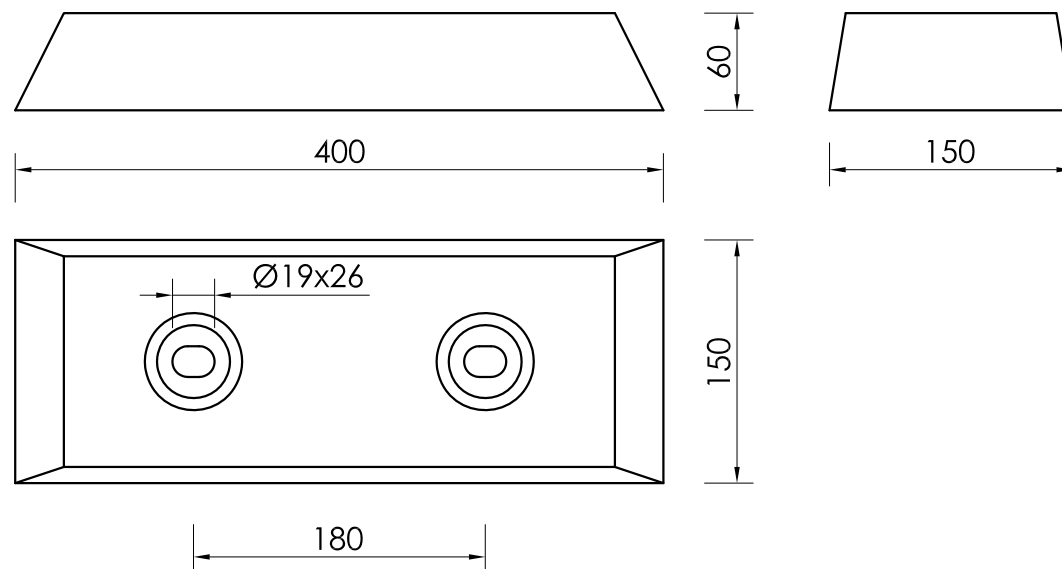


# Zinc Anode KP-5

gross weight: 21,50 kg  
net weight: 21,00 kg



Technical specification ZnAlCd - alloy type Z1 according to EN12496:2013 :

Alloying elements:

Al [%]: 0,10 - 0,50  
Cd [%]: 0,025 - 0,07  
Zn [%]: remainder

Impurities:

Fe [%]: max 0,005  
Cu [%]: max 0,005  
Pb [%]: max 0,006

Electrochemical efficiency min: 780 Ah/kg  
acc. DNV RP B401 test appendix B

Note:

- All weights and dimensions are nominal.
- Dimensions in mm

|  |   |                    |               |               |
|--|---|--------------------|---------------|---------------|
|  <b>MAKROMOR</b><br>CATHODIC PROTECTION | MAKROMOR SP. Z O.O.<br>Ul. Gołębia 15<br>81-185 Gdynia, POLAND<br>Phone: +48 58 661-57-99<br>Fax: +48 58 661-01-89<br>e-mail: biuro@makromor.pl<br>website: www.makromor.pl |                    | Scale:        | <b>1:5</b>    |
|  |   |                    | Insert type:  | <b>S235JR</b> |
|  |   | Alloy:             | <b>ZnAlCd</b> |               |
| Type:  |   | Alternative type:  |               |               |
| <b>ZINC ANODE KP-5</b>   |   |                    |               |               |
| Product code:  |   | Drawing No.:       |               |               |
| Z215/KP/150/60/400/180/0   |   | <b>ZKP5/0</b>      |               |               |
| Drawer:  | Date:   | Approved:          | Date:         |               |
| Ewa Nawrocka   | 03-04-2019  | Grzegorz Prytowski | 03-04-2019    |               |
| Copyright MAKROMOR SP. Z O.O. All rights reserved.   |   |                    |               |               |